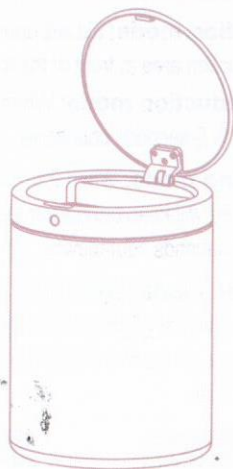


# SMART BIN 2

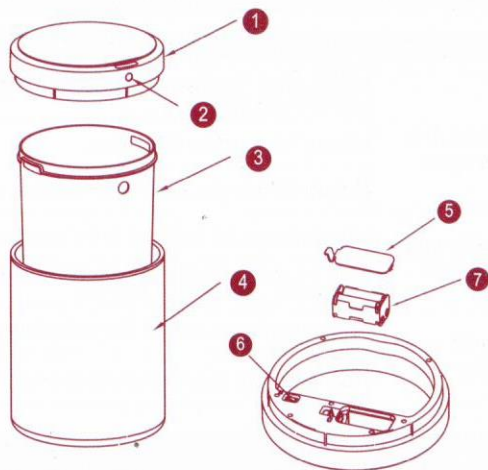
BY

**TidyUp!**<sup>®</sup>



## PARTS LIST

- 1 Sensor Lid
- 2 Control Panel
- 3 Inner Bucket
- 4 Outer Body
- 5 Battery cover
- 6 Switch ON/OFF
- 7 Battery Box



## INSTALL BATTERY



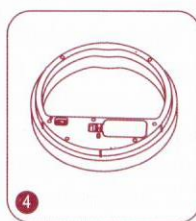
1. Check accessories



2. Take off the lid



3. Open the battery cover, take out the box then put 4pcs of AA alkaline batteries into it, and make sure the installing polarity is correct.



4. Put back the battery box into the holder, press the switch button to the position to turn on power (at the backside of the lid)

## OPERATING MODE

**Auto induction mode:** Lid will open automatically when you come within 10~25 cm induction area in front of the touch screen.If under 10cm,it will not sense.

**Vibration induction mode:** When kick or vibrate the body,lid will open autotomatically and close after a 5-seconds countdown.

**Delay closing mode:** When the auto sensor(LED light) is on and some one stay in induction area,lid will keep open.After the person or object leaves,the lid will automatically close after a 5-seconds countdown.

**Manual open mode:** Lightly touch the OPEN button,lid opens at once and stays open. To close manually, lightly touch the CLOSE button,the sensor bin will revert to the auto induction mode.If not touch the CLOSE button, the lid will close automatically after 120s in manual open mode.



Auto induction



5 Seconds to close



Strobe to change batteries

## MALFUNCTIONS AND SOLUTIONS

Malfunctions	Solutions
The lid fails to open	Check if the batteries are installed properly or if the batteries are in good contact with springs.
	Check if the switch is turned on.
	Leave the inductive area for 10 seconds and then try again.
The lid fails to close	Check if there is interferent in the inductive area.
	The circuit may be damp.Turn off the switch and put the lid in a ventilated place until it is dry then try again
The lid opens very slowly	The batteries are running low,pls replace with new ones.
	Remarks:If the above solutions don't work,please consult local sales agencies.

## ATTENTIONS

- 1.Please pay attention to the polarity when you install the batteries.
- 2.Place the product in a dry indoor environment. Do not use it in high-temperature(over 45°C)or humid environment.
- 3.To better protect the motor, please do not close or open the lid directly with other forces. Lid will be closed aotumatically after 5 seconds.
4. This product adopts 4pcs of alkaline AA batteries which can be used for 6 months in proper situation(this is testing data of 30 times to open and close a day in laboratory, it will be different from practical situation due to various condition and environment.
5. If batteries run out or are left unused for a long time please take them out or replace new ones in time to prevent over discharge and leakage.
6. Please keep the product away from heat, hard light and wind to avoid the mistake to open automatically.
7. Please do not replace unauthorized components or repair it by yourself.